

8756P

Soft Serve Freezer

Twin Twist, Horizon® Mix Delivery System

Features

Offer all the popular soft serve variations from low or non-fat ice creams to custards, yogurt and sorbet. Serve two separate soft serve flavors, or an equal combination of both in a twist. The Horizon® Mix Delivery System offers high capacity in a pressurized system with consistent overrun and simplified operation.

Freezing Cylinder

Two, 3.4 quart (3.2 liter).

Refrigerated Mix Storage Cabinet

Lower front mix cabinet is independently refrigerated to maintain mix below 41°F (5°C). Door is hinged on the right. Two, 9 gallon (34.1 liter) mix tanks. The Horizon® Mix Delivery Systems deliver the precise amount of air and mix to the freezing cylinder.

Indicator Lights

Mix Low light alerts the operator to add mix. Audible alarm may be enabled to sound when mix is low. When the Mix Out light flashes, the unit shuts down automatically to prevent damage.

Electronic Controls

Finished product quality is monitored by Softech™ controls that measure viscosity.

Standby

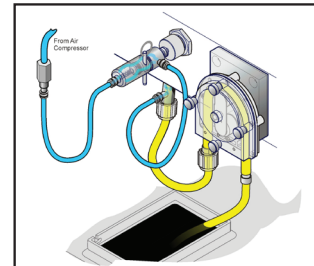
During long no-use periods, the Standby feature maintains safe product temperatures in the freezing cylinder.

Horizon® Mix Delivery System

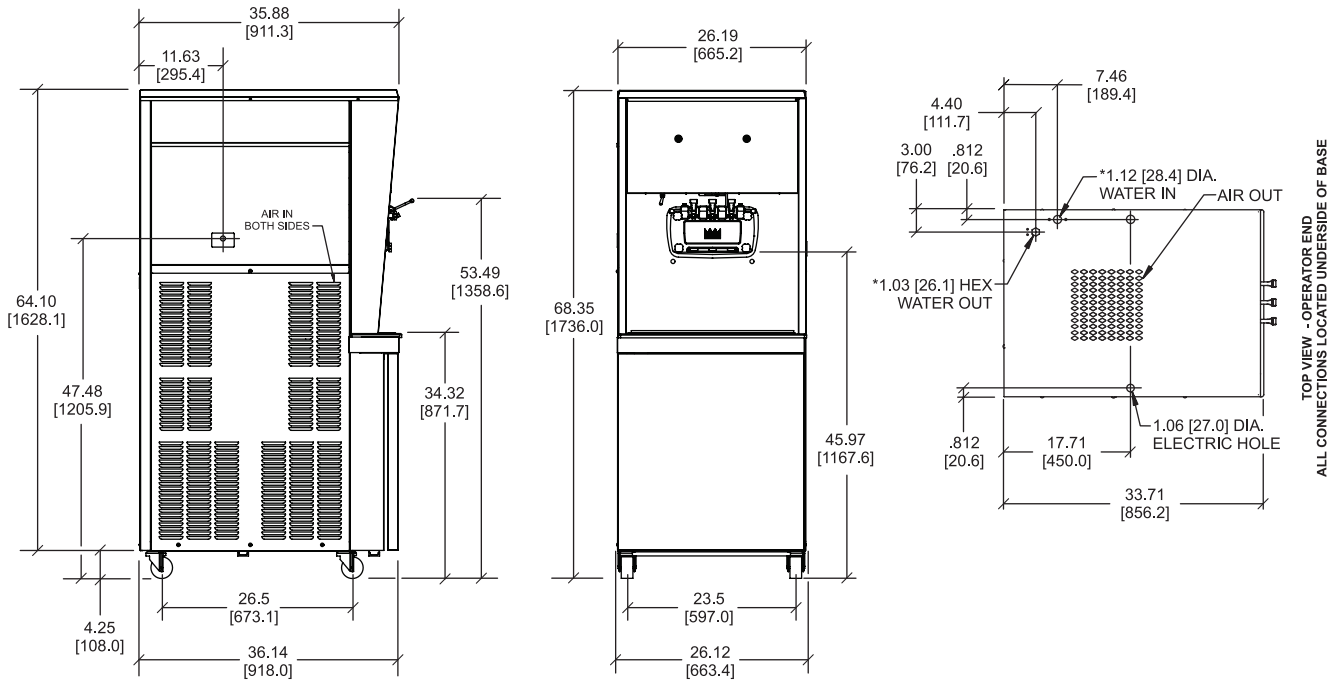
Easy to clean and offers reliable overrun control. Simple overrun adjustment from 25 to 70% (depending on mix formulation). Ability to dispense higher butterfat or fruit products with pulp.

Two Locking Casters

Front casters have a locking feature for operators to lock to maintain equipment in place. The locking casters can be released to move the equipment for cleaning.



8756P Soft Serve Freezer



FIGURES IN BRACKETS INDICATE MILLIMETERS / DECIMAL DIMENSIONS EQUAL TO (PLUS OR MINUS 1/16 INCH [1.5mm]). *FOR WATER COOLED UNITS ONLY.

Weights	lbs.	kgs.
Net	835	378.8
Crated	868	393.7
	cu. ft.	cu. m.
Volume	77.9	2.2
Dimensions	in.	mm.
Width	26-1/4	665
Depth	36-3/16	918
Height	68-3/8	1736
Floor Clearance	4-1/4	108

*Mounted on standard casters

Electrical	Maximum Fuse Size		Minimum Circuit Ampacity		Poles (P) Wires (W)
	Left	Right	Left	Right	
208-230/60/1 Air	35	35	28	24	2P 3W
208-230/60/1 Water	35	35	28	24	2P 3W
208-230/60/3 Air	25	25	22	18	3P 4W
208-230/60/3 Water	25	25	21	18	3P 4W
220-240/50/1 Air	30	25	23	20	2P 3W
380-415/50/3N~ Air	12	9	11	8	4P 5W

This unit may be manufactured in other electrical characteristics. Refer to the local Taylor Distributor for availability.

(For exact electrical information, always refer to the data label of the unit.)

Bidding Specs

Electrical: Volt _____ Hz _____ ph _____

Neutral: Yes No **Cooling:** Air Water NA

Options: _____

Specifications

Electrical

Two dedicated electrical connections are required. See the Electrical chart for the proper electrical requirements. Manufactured to be permanently connected. Consult your local Taylor distributor for cord & receptacle specifications as local codes allow.

Beater Motor

Two, 1.5 HP.

Refrigeration System

Two, 9,500 BTU/hr. R404A
 Mix Cabinet, 1,100 BTU/hr. R404A.
 (BTUs may vary depending on compressor used.)

Air Cooled

Minimum 3" (76 mm) around all sides and 12" (305 mm) on top. Minimum air clearances must be met to assure adequate air flow for optimum performance.

Water Cooled

Water inlet and drain connections under side of base 1/2" FPT.

Options

- Cone Dispenser
- Draw Valve Lock Kit
- Sneeze Guard
- Syrup Rail Kit (side mount)

Continuing research results in steady improvements; therefore, these specifications are subject to change without notice.



Taylor Company,
 Rockton, Illinois 61072
 815-624-8333 **800-255-0626** Fax 815-624-8000
www.taylor-company.com